

DKG-173

Din-



DATAKOM DKG-173

Din-

3-

-R, MC, RST

-MCB

R

-R, MC, RST

-MCB

G

-G

GC

GCB

G.

-R RST

MC

MCB

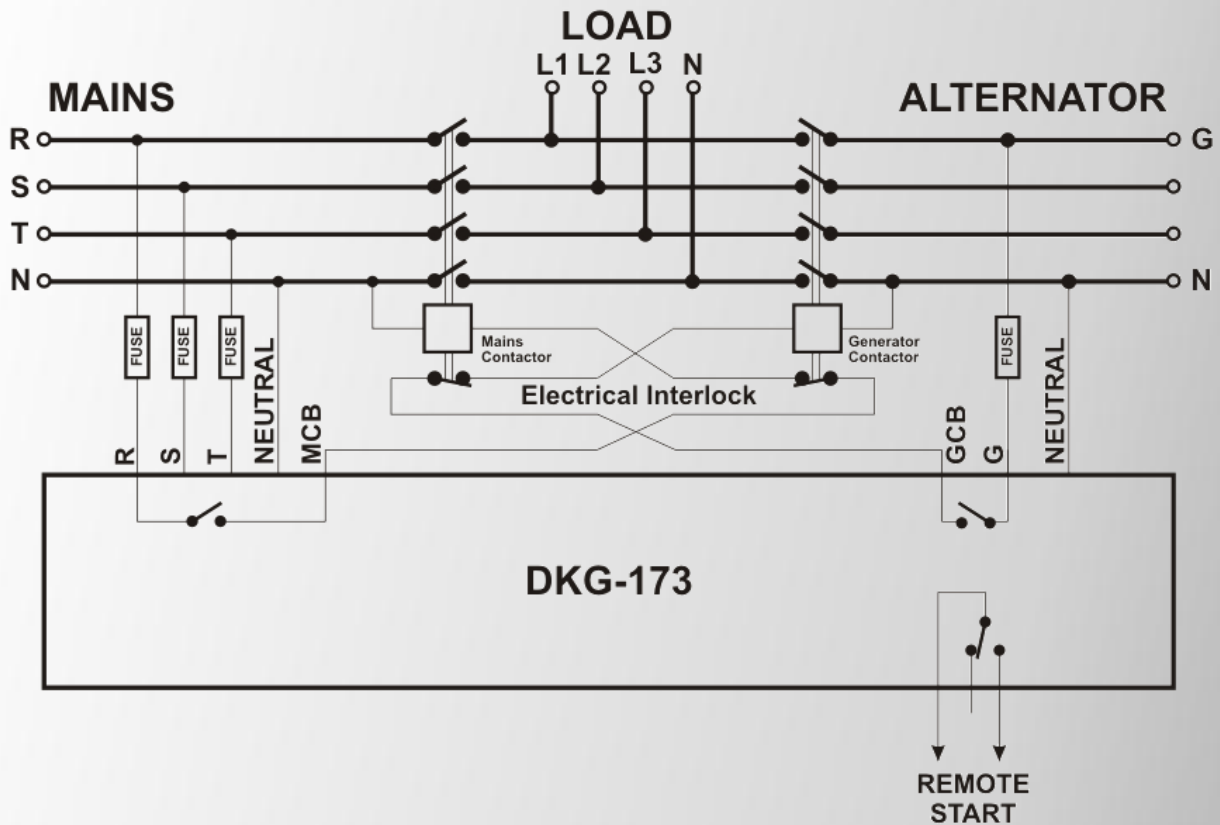
R.

DIN

10A/250VAC

MCB GCB

10A/28VDC/250VAC



R-S-T: : 170-300 V-AC (Ph-N)
NEUT-MN: : 170-300 V-AC (Ph-N)
G: : 1-40
NEUT-GN: : 1-40
MCB- : 10A @ 250V-AC
GCB- : 10A @ 250V-AC
 (10A@250V-AC)
 (10A@28V-DC/250V-AC)

MCB : 10A @ 250V-AC
GCB : 10A @ 250V-AC
 : 10A @ 250V-AC/28V-DC
 : -30°C (-22°F) to 70 °C (158°F).
 : -30°C (-22°F) to 80 °C (176°F).
 : 95%
 : 70x115x66mm (WxHxD)
 : 180
 : DIN Rail
 : High Temp. ABS/PC (UL94-V0)
IP : IP20
Conformity (EU directives)
 -2006/95/EC (low voltage)
 -2004/108/EC (EMC)
Norms of reference:
 EN 61010 (safety requirements)
 EN 61326 (EMC requirements)

G:
GC:
R:
RST:
MC:

